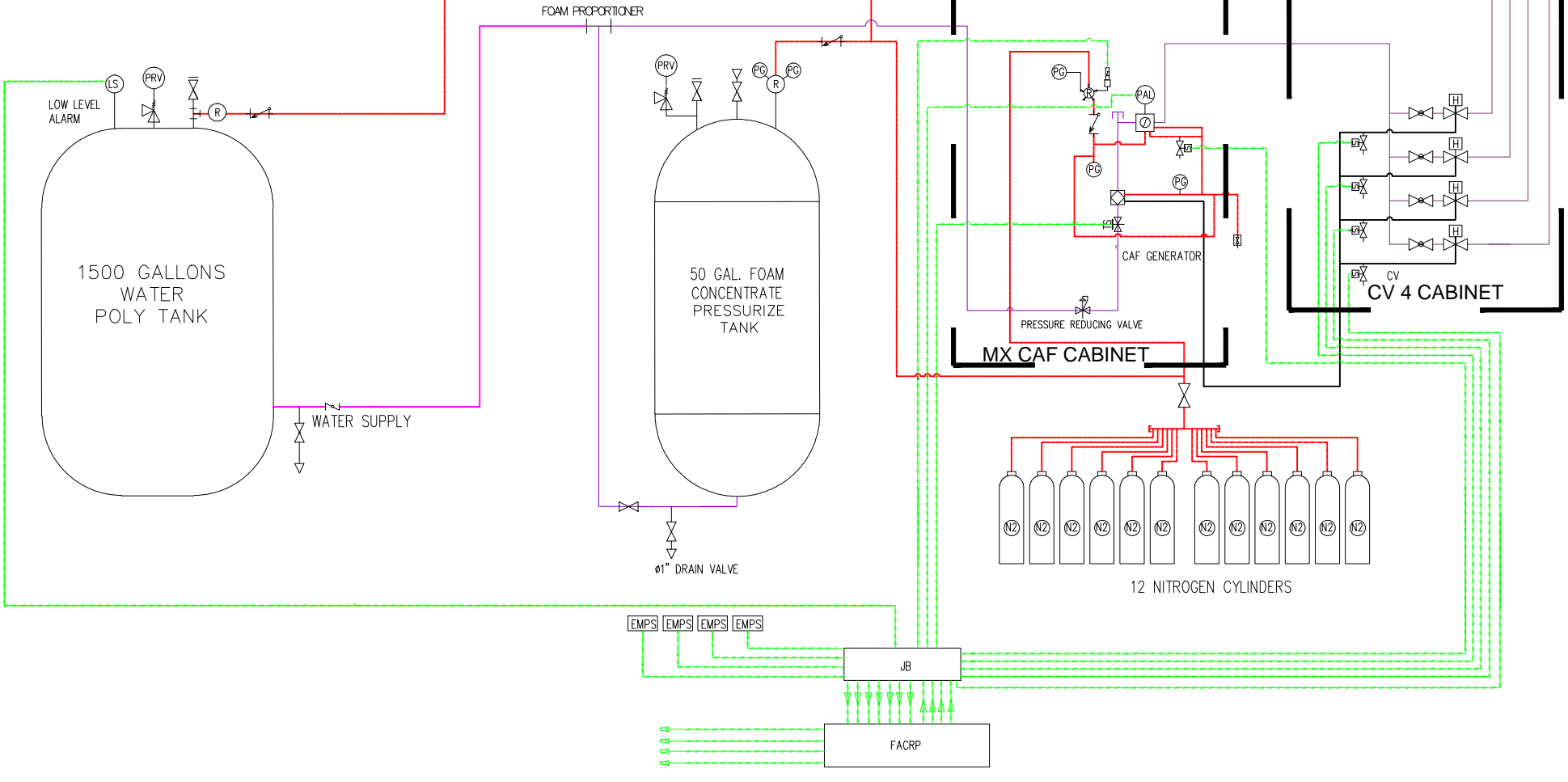
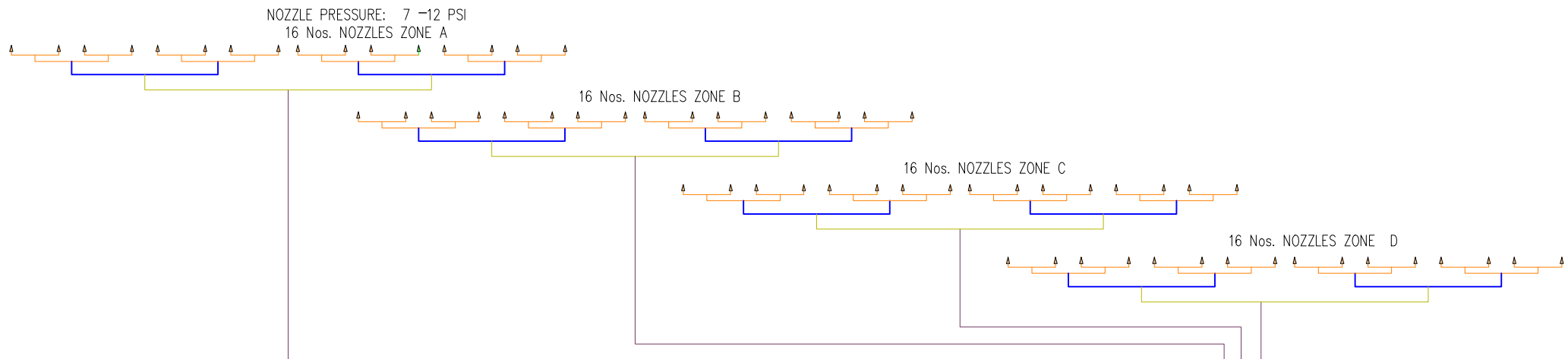


1

2

3

4



LEGENDS:

- (PAL) PRESSURE ALARM SWITCH
- (PG) PRESSURE GAUGE
- (LS) LEVEL SWITCH
- (PRV) RELIEF VALVE
- (LS) LOW LEVEL ALARM SWITCH
- (V) VENT VALVE
- (F) FILL VALVE
- (D) DRAIN VALVE
- (C) CHECK VALVE
- (R) HIGH-LOW N2 REGULATOR
- (R) N2 REGULATOR
- (JB) JUNCTION BOX
- (H) ZONE VALVE
- (S) SOLENOID VALVE
- (L) LOW N2 PRESSURE SWITCH
- (T) CONTROL VALVE WITH TAMPER SWITCH
- (P) PRESSURE REDUCING VALVE
- (B) BALL VALVE
- (M) MIXING CHAMBER
- (A) HDN-5 NOZZLE

— COMPRESSED AIR FOAM DISCHARGE LINE #40 mm G.I. PIPE
 — COMPRESSED AIR FOAM DISCHARGE LINE #50 mm G.I. PIPE
 — COMPRESSED AIR FOAM DISCHARGE LINE #65 mm G.I. PIPE
 — COMPRESSED AIR FOAM DISCHARGE LINE #80 mm G.I. PIPE
 — WATER LINE #80 mm G.I. PIPE
 — FOAM CONCENTRATE PIPE
 — COMPRESSED AIR FOAM SOLUTION #80 mm G.I. PIPE
 — NITROGEN SUPPLY LINE #10 mm SS TUBING
 - - - - - CONTROL CABLE

PROJECT NAME:
CAFS TRANSFORMERS

COSTUMER:



ACAF SYSTEMS, Inc.
4 GRAFTON STREET, COVENTRY RI, 02816
Tel. (401)828-9787 Fax. (401)828-9788

DRAWN BY LER	DATE 08/20/2019	DESIGNED BY DBM	DATE 08/20/2019
CHK. --	DATE --	DRAWING STATUS: FOR REVIEW	

TITLE:
TRANSFORMER
CAFS P&ID

SCALE: NTS	DRAWING NO.:	C.A.D. REV.:
SHEET: 1 OF 1	CAFS-50MVA-P-01	0

1

2

3

4