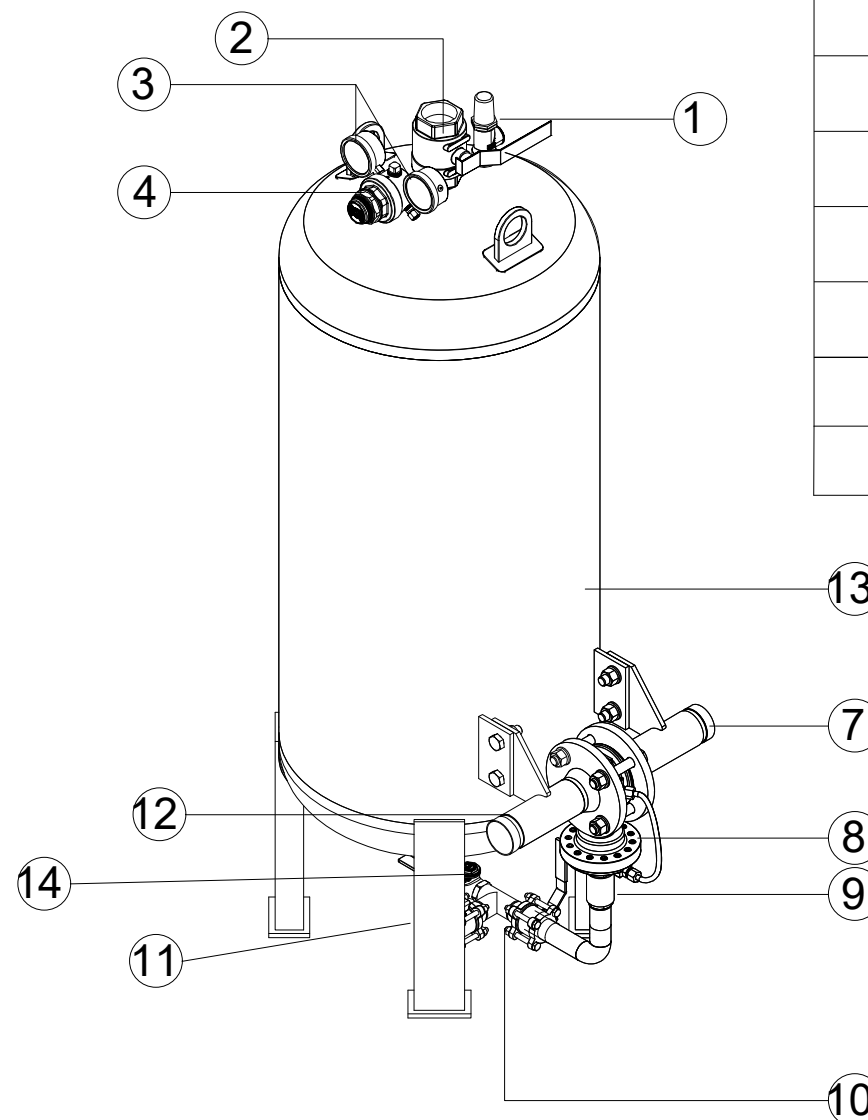
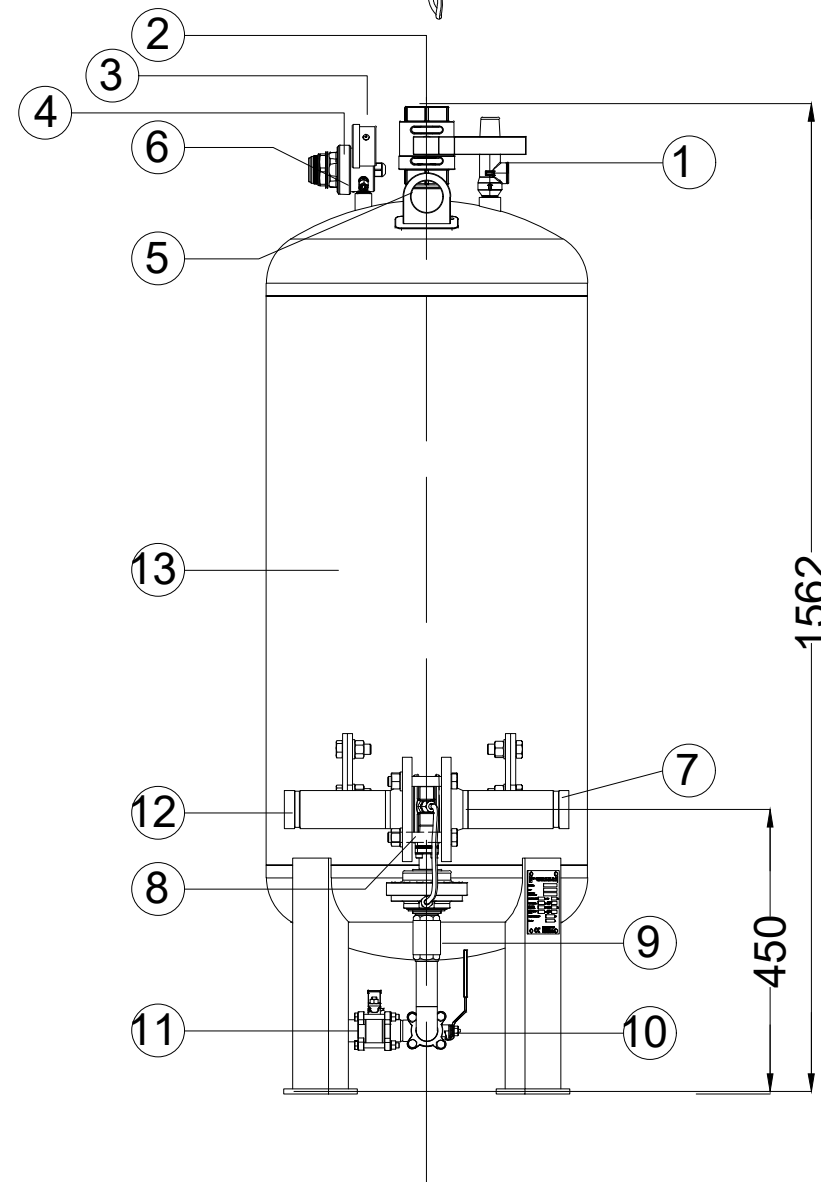
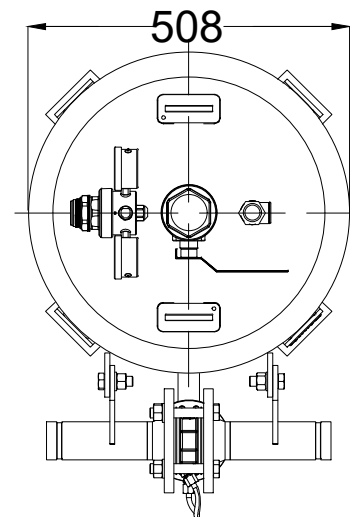


1

2

3

4



ITEM #	DESCRIPTION	QTY.
1	PRESSURE SAFETY RELIEF VALVE (Ø25 MM)	1
2	FILL VALVE (Ø50 MM)	1
3	PRESSURE GAUGES	2
4	PRESSURE REGULATOR	1
5	Ø50 MM FULL THREADED NIPPLE 50 MM LENGTH	1
6	Ø12.5 MM FULL THREADED NIPPLE 50 MM LENGTH	1
7	Ø50 MM WATER CONNECTION GROOVED TO FLANGE	1
8	FOAM PROPORTIONER	1
9	Ø25 MM THREADED COUPLING CONNECTOR	1
10	Ø25 MM FOAM CONCENTRATE GATE / CONTROL VALVE	1
11	Ø25 MM DRAIN VALVE	1
12	Ø50 MM SOLUTION DISCHARGE CONNECTION GROOVED TO FLANGE	1
13	200 LITERS / 50 GALLONS PRESSURIZE FOAM CONCENTRATE TANK	1
14	Ø25 MM CHECK VALVE	1

EMPTY WEIGHT : 94 KG
FULL WEIGHT : 294 KG

NOTICE: This detailed comprehensive drawing has been made as a record for your files and is the sole and exclusive property of ACAF SYSTEMS Inc., having been made to a design conceived at said Co. and is not to be reproduced, nor any part or portion thereof, nor any information obtained therefrom, to be made use of or disclosed in any manner whatsoever.

UNLESS OTHERWISE SPECIFIED ALL DIMENSIONS ARE IN INCHES.
FRACTIONAL $\pm 1/32"$ (± 0.8 mm)
2 DECIMAL PLACES $\pm 0.01"$ (± 0.3 mm)
3 DECIMAL PLACES $\pm 0.005"$ (± 0.13 mm)
4 DECIMAL PLACES $\pm 0.0005"$ (± 0.013 mm)
ANGLE ± 30 MIN.
UNLESS OTHERWISE SPECIFIED ALL MACHINED SURFACES TO BE 63 $\sqrt{\text{R}}$ OR BETTER.
REMOVE ALL UNNECESSARY SHARP EDGES.

SUPPLIER:



ACAF SYSTEMS, Inc.

4 GRAFTON STREET, COVENTRY RI, 02816
Tel. (401)828-9787 Fax. (401)828-9788

DRAWN BY LER	DATE 03/10/2020	DESIGNED BY DBM	DATE 03/10/2020
CHK. --	DATE --	REVISION DATE	

TITLE: **50 GALLONS
FOAM PROPORTIONING
TANK**

SCALE: NTS	DRAWING NO.: KD4074	C.A.D. REV. 0
SHEET: 1 OF 1		

1

2

3

4